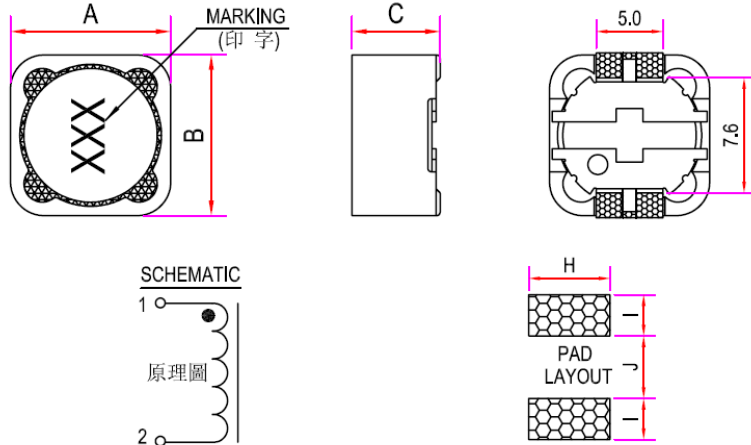


SMD Type Power Inductor

1. Features

- 1.Magnetic Shielded surface mount inductor with high current rating.
- 2.Low resistance to keep power loss minimum.
- 3.The products contain no lead and also support lead-free soldering.

2. Dimension



Series	A(mm)	B(mm)	C(mm)	D(mm)	E(mm)	F(mm)
CDRH1205	12.3 max.	12.3max.	3.0 max.	5.0 ref.	2.2 ref.	7.6 ref.

3. Part Numbering

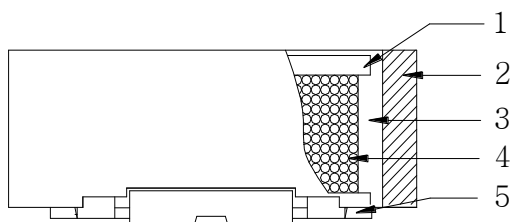
CDRH
 1207
 -
 331
 M
 A B C D

A: Series
 B: Dimension
 C: Lead free Code
 D: Inductance

331=330uH

Part Number	Inductance		DCR (Ω) max.	Rated Current (A) max.
	Tolerance (uH)	Test Frequency (Hz)		
CDRH1205-391M	331	1K/1v	0.64	1.2

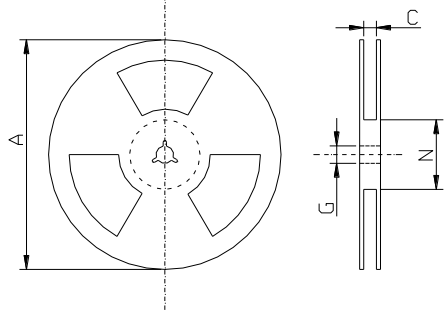
4.Material List



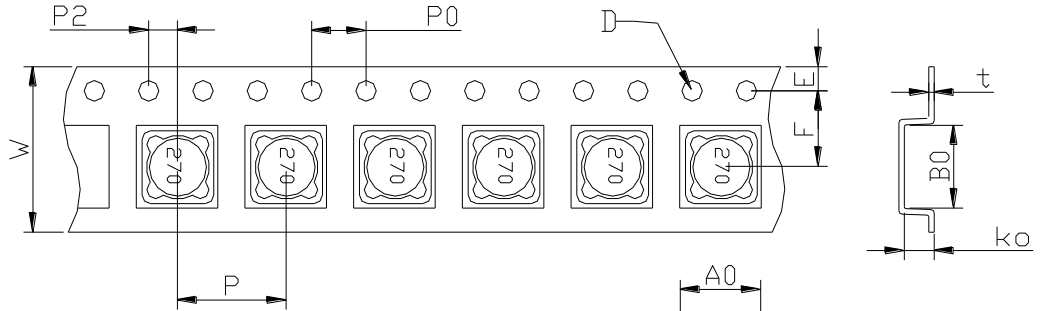
NO	ITEM	MATERIAL
1	CORE	FERRITE CORE (DR TYPE)
2	CORE	FERRITE CORE (RI TYPE)
3	GLUE	
4	WIRE	ENAMELLED COPPER WIRE
5	BASE	

5.Packaging Information

5-1.Reel Dimension & Tape Dimension



STYLE	A(mm)	C(mm)	G(mm)	N(mm)
13"X24mm	330	24.5±0.5	13.5±0.5	100±1



STYLE	W	P	E	F	P2	D	P0
24mm	24±0.3	16±0.1	1.75±0.1	11.5±0.1	2±0.1	1.5+0.25	4±0.1
	Ao	Bo	Ko	t			
	12.9±0.1	12.9+0.1	8. 0±0.1	0.45±0.05			

5-2.Packaging Quantity

SERIES	1 REEL	INNER CARTON			OUTER CARTON		
	Q'TY(PCS)	REEL	Q'TY(PCS)	SIZE(cm)	INNER	Q'TY(PCS)	SIZE(cm)
CDRH1205	500	2	1000		4	4000	

6.Material List

NO.	DESCRIPTION	SPECIFICATION	VENDOR	UL FILE NO.	REMARK
1	CORE	G36CDR10*7 G36CRI12.1*4.8*10.7			
2	WIRE	2UEW ϕ 0.2*2p*113.5TS(REF)			
3	BASE				
5					
6					